



MADE IN BLIGHTY

*How to fly*  
*a Design Manual*

*I can remember the time*

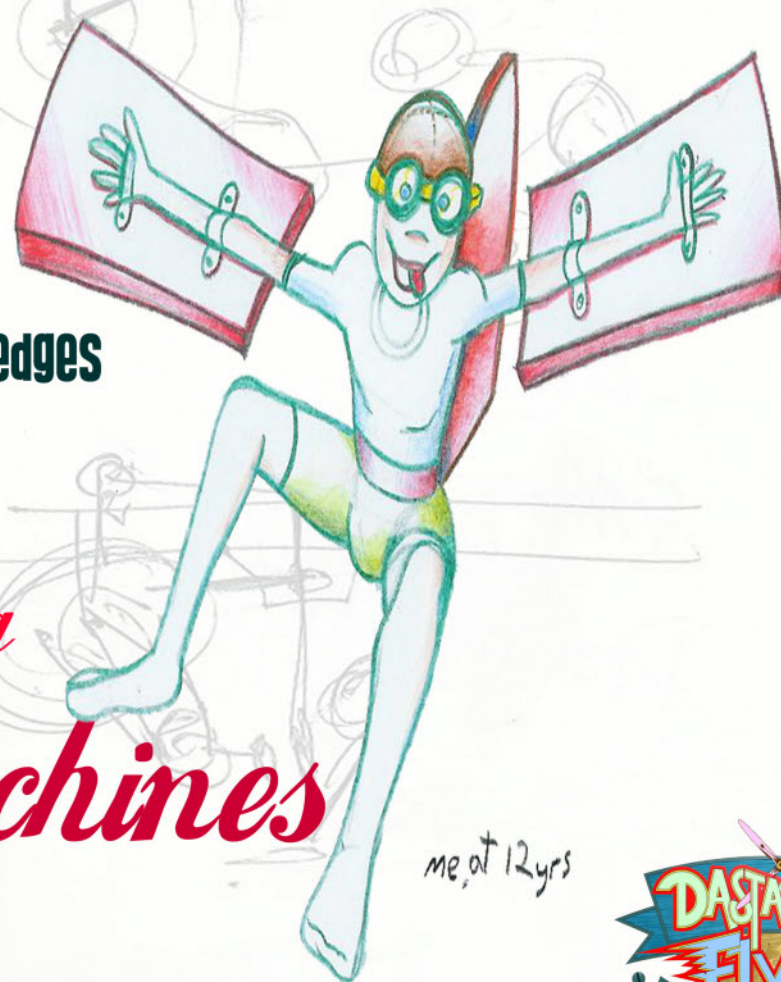
When i ran around my school yard  
With arms out stretched ...screaming "naaaaaa !"

*and I can remember*

riding on my father's shoulders looking over the hedges  
whilst he told me stories of incredible men  
and their machines.

*Thats why I started building*

*Flying Machines*



me, at 12 yrs





*This design manual  
sets out the initial specification for  
Dastardly Flying Machines*

*Simply put my machines are  
bicycles that ride in the air  
Look up and you may see one  
passing by*

*Dastardly Flying Machines  
are superbly engineered taking full advantage  
of modern day cycle cog and chain technologies  
Whilst embracing the style and romance of  
a time when men believed that they would fly*

*Where might you spot a  
Dastardly*

**Theme Parks      Shopping malls**  
**ZOOS                Visitors centres**  
**Play barns        Farm parks**  
**Forest trails      Stateley homes**  
**Piers                Sea fronts**  
**Family entertainment centres**  
**Christmas grottos**

*The list goes on and on, as does our  
obsession to fly.*



*I've been designing  
exclusively for the  
leisure industry*

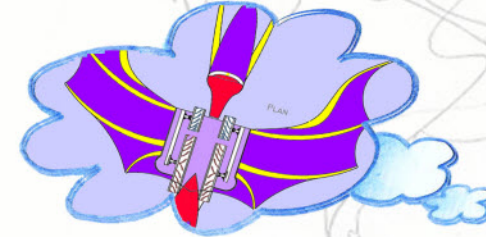


*for the past twenty five years.*

*The industry term for people like  
me is Imagineer.....  
what I am is a Designer.*

*Dastardly engineers  
have turned a childhood dream  
into a reality*

*The following specification illustrates  
just how that reality works.*

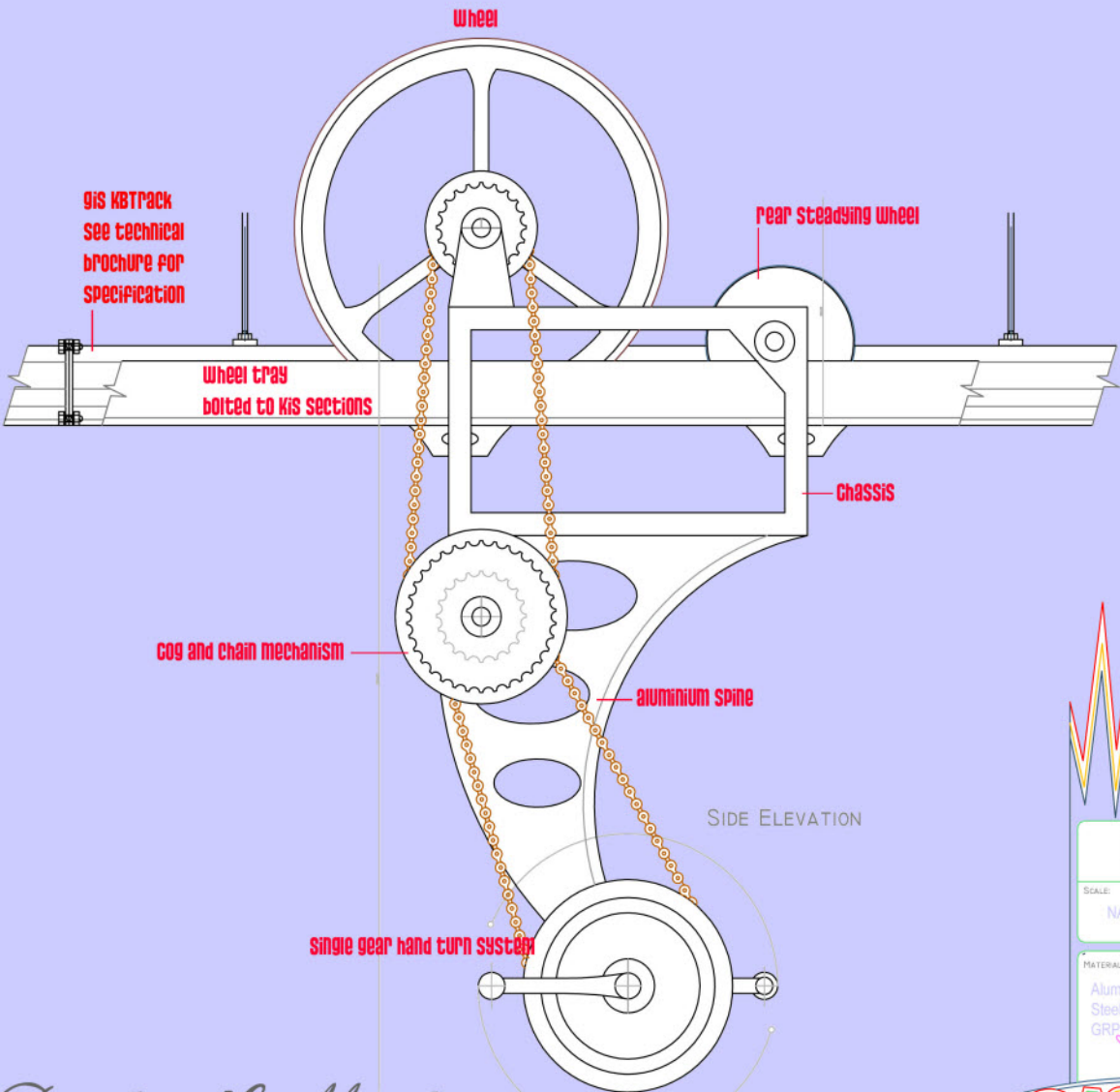
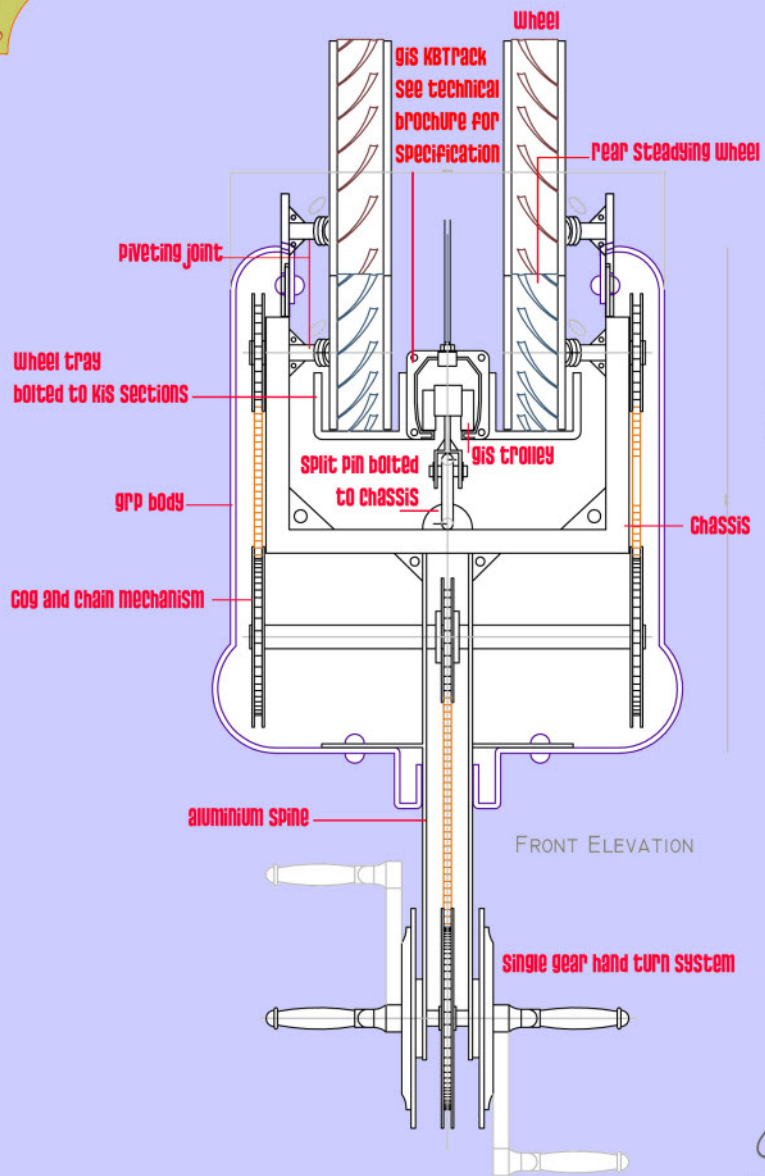


*Everything starts with  
an inspiration*

*that forms into an idea  
that you design;  
that you develop;  
that you plan;  
and then build*

*and then you fly.....*





# Dastardly Mechanism

DASTARDLY MECHANISM	
SCALE: NA	DATE: 02 June 2011
MATERIALS: Aluminium Steel GRP	NOTES: First Draft

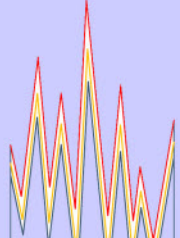
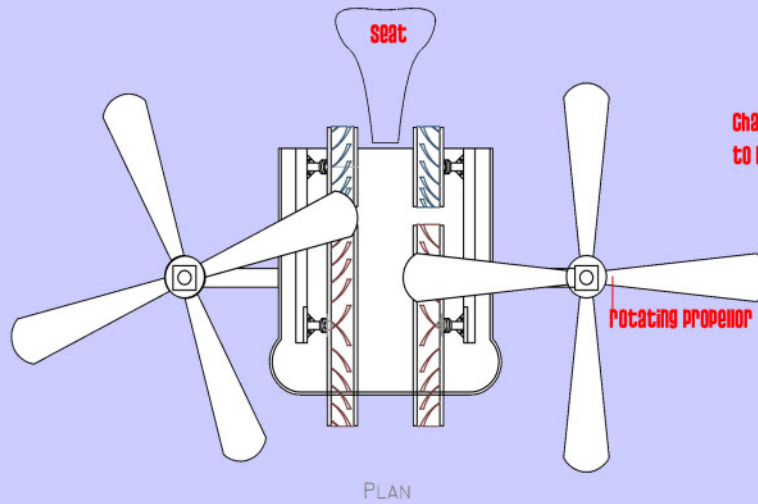
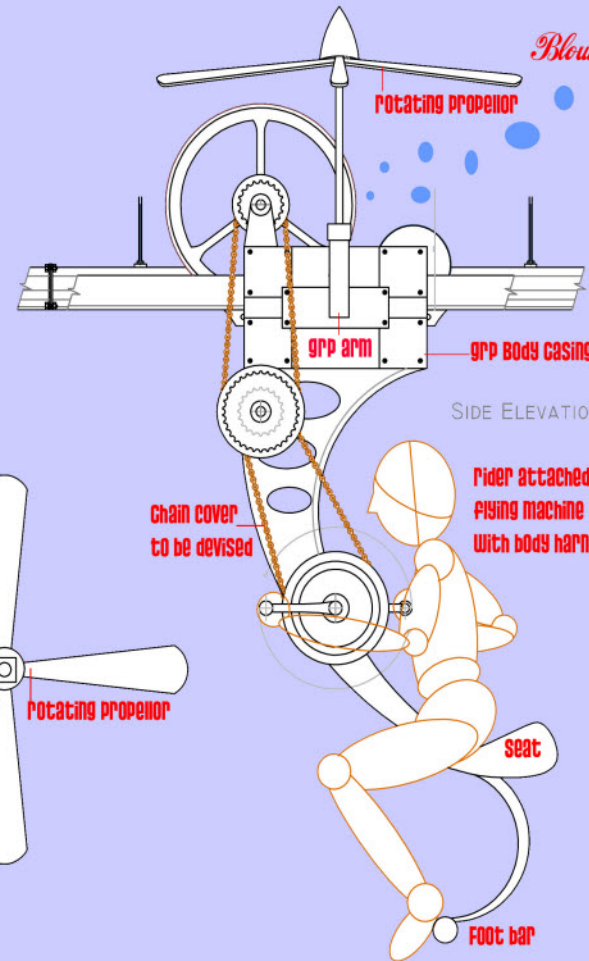
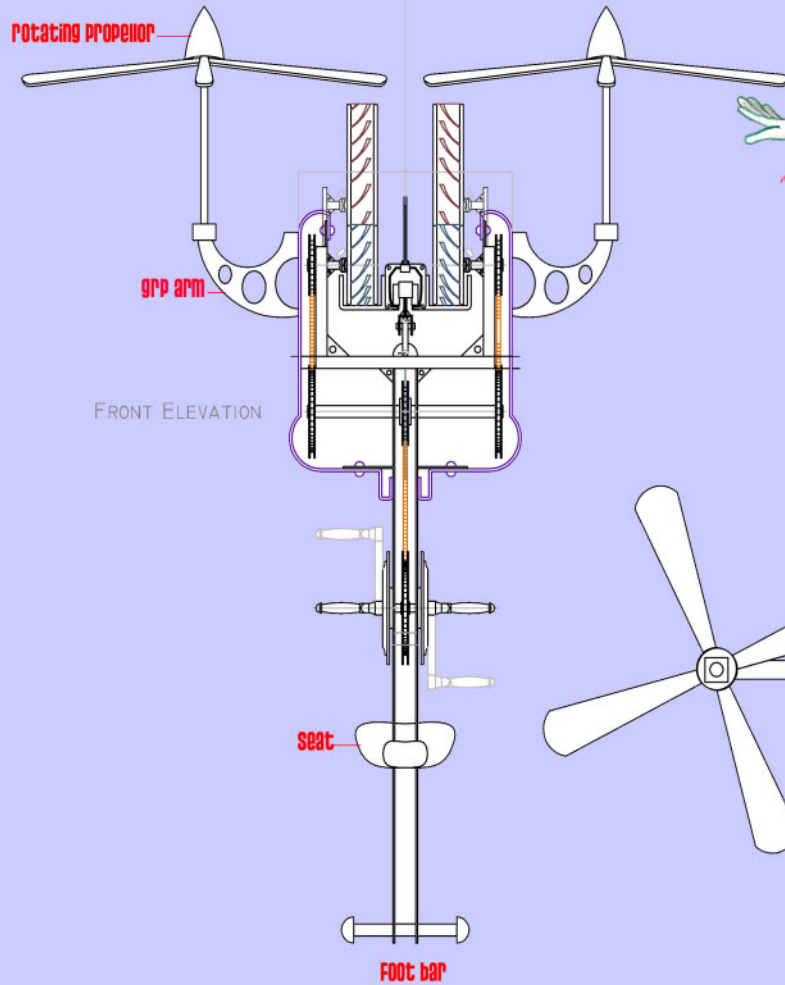
INVENTED BY: 



# Classic Flying Machine



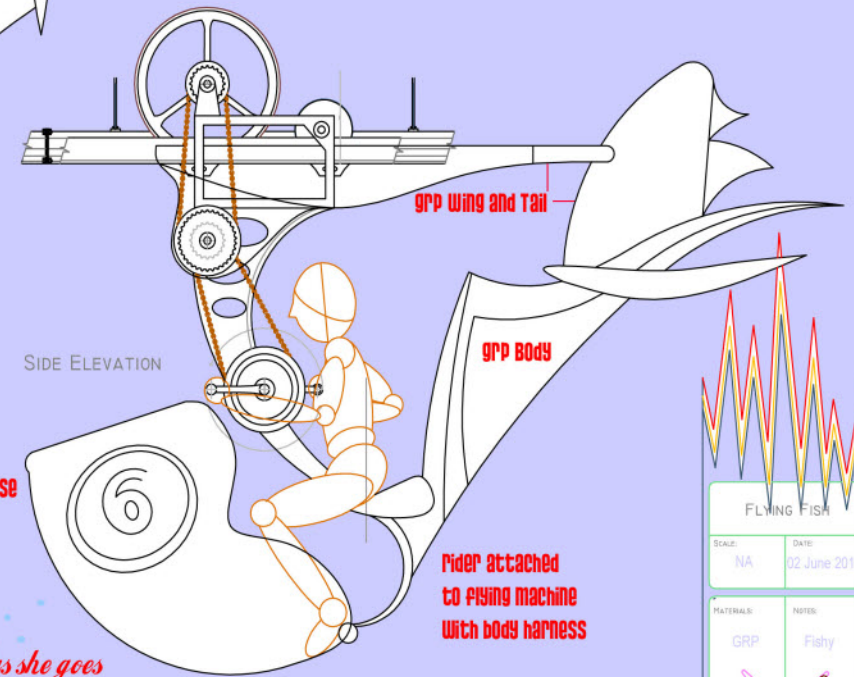
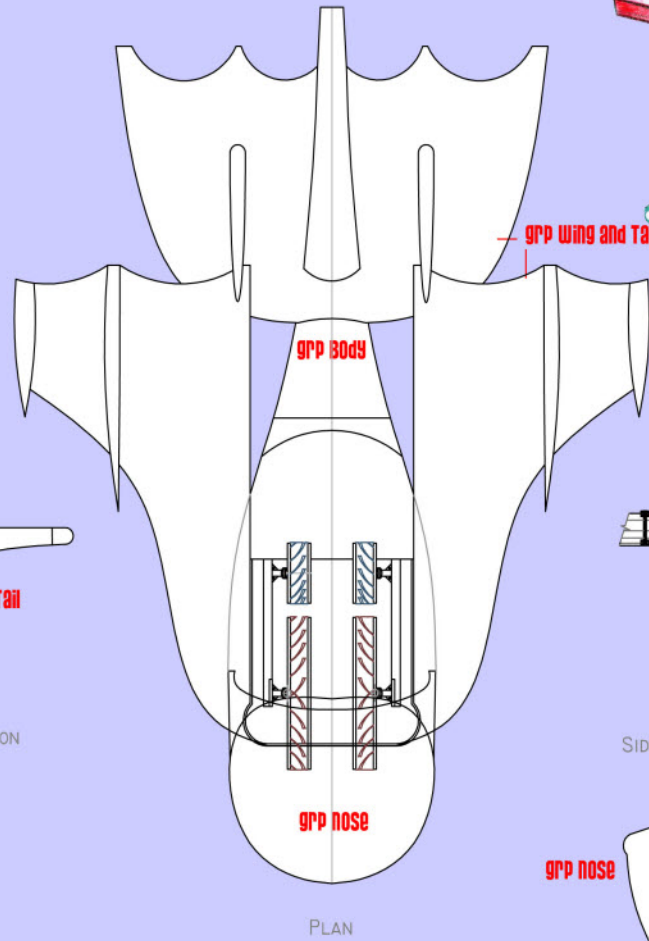
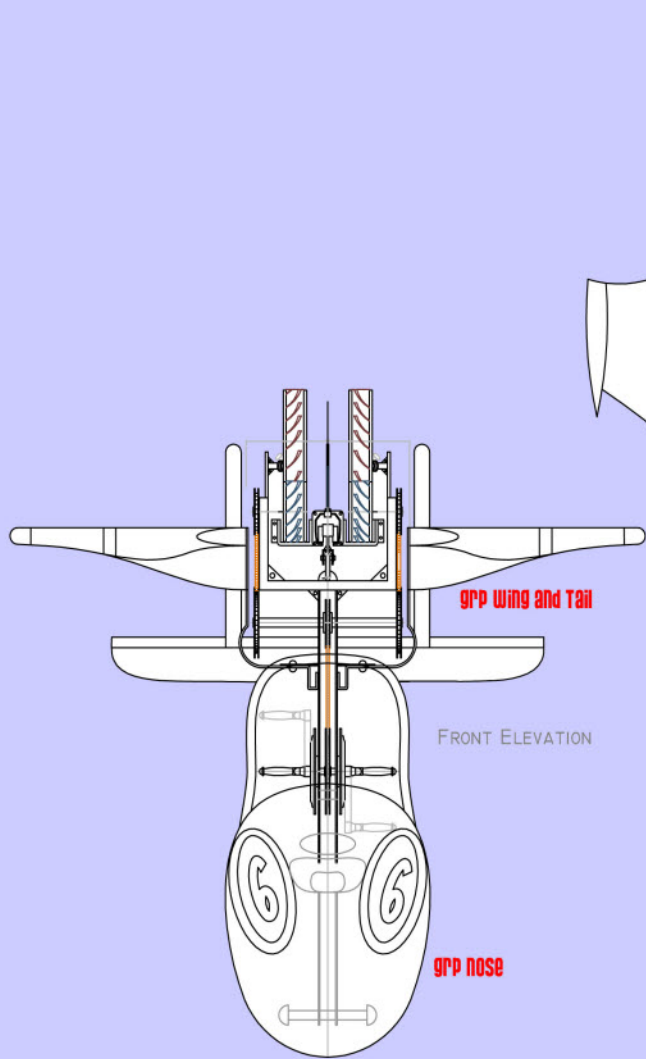
*Blowing bubbles as she goes*



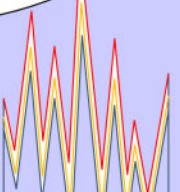
TIME CLOCK FLYER	
Scale:	Date:
NA	02 June 2011
Materials:	Notes:
Aluminium Steel GPP	Classic Skybike



# Flying Fish



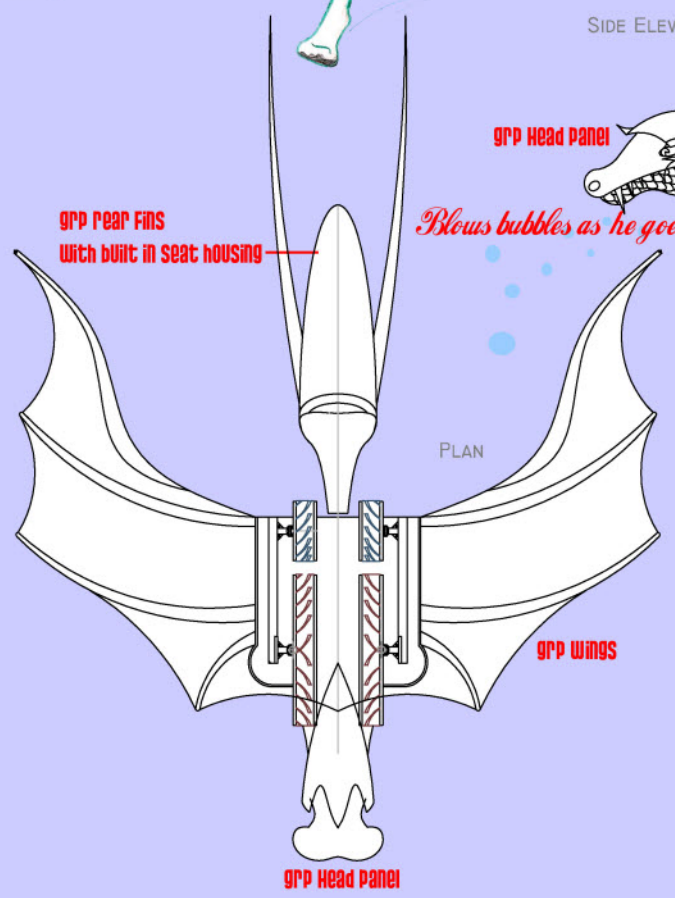
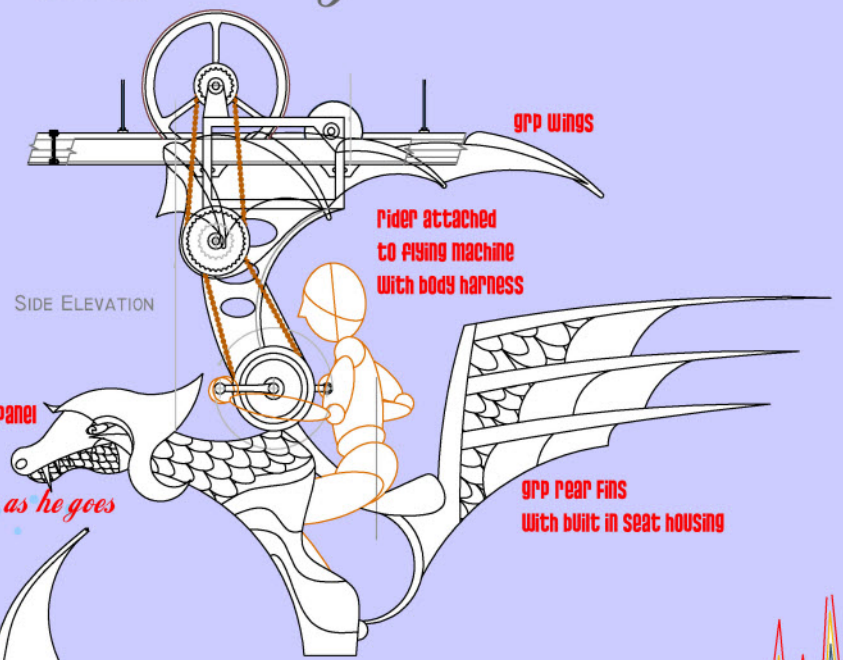
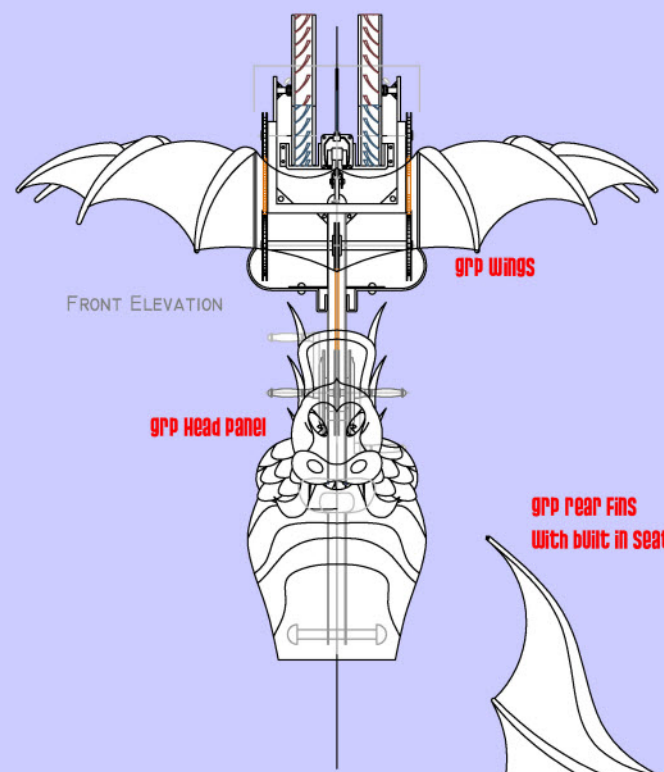
*Blowing bubbles as she goes*



FLYING FISH	
SCALE: NA	DATE: 02 June 2011
MATERIALS: GRP	NOTE: Fishy



# Leons Dragon



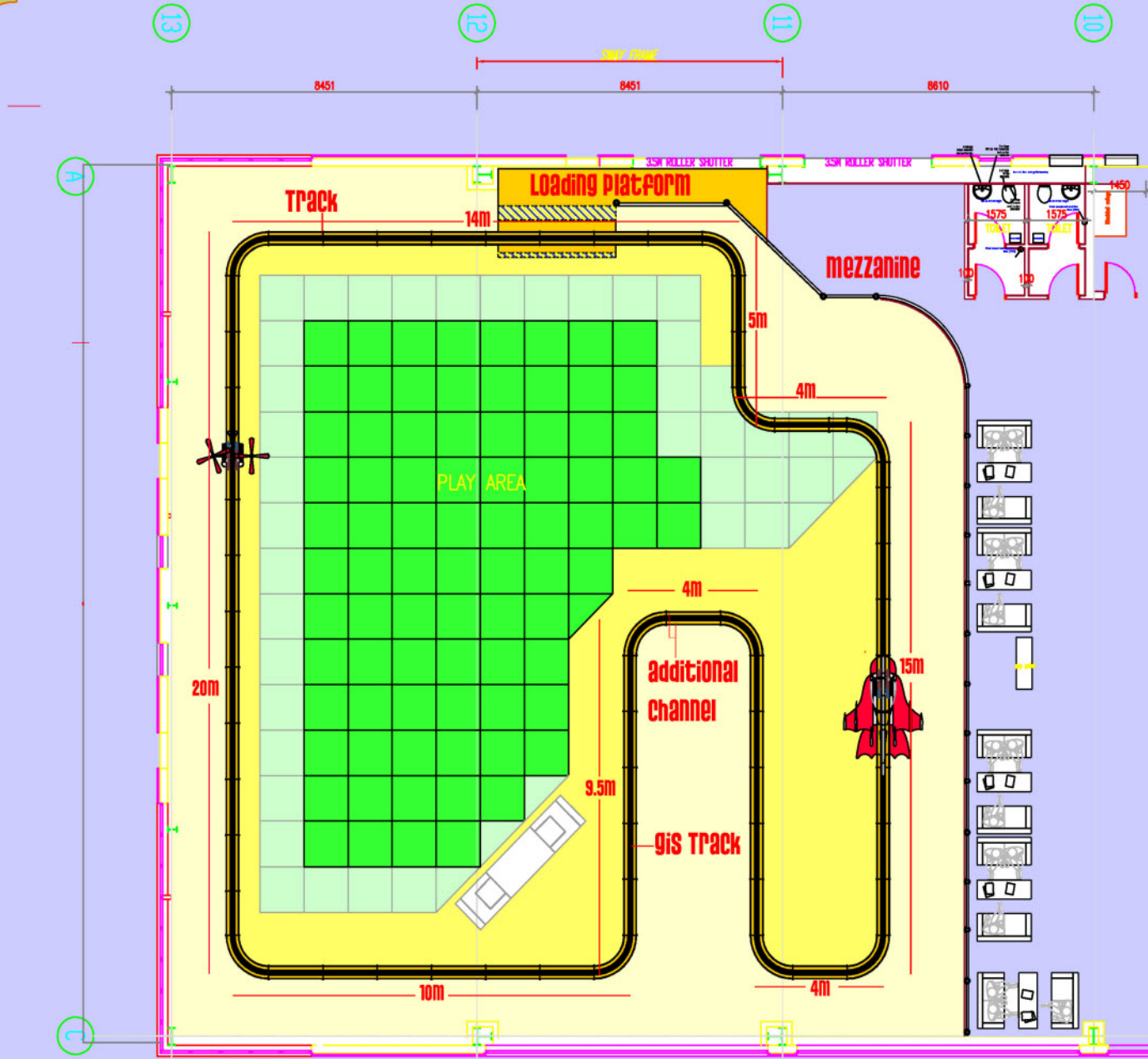
LEON THE DRAGON	
SCALE: NA	DATE: 02 June 2011
MATERIALS: GRP	NOTES: Smokey

INVENTED BY: 

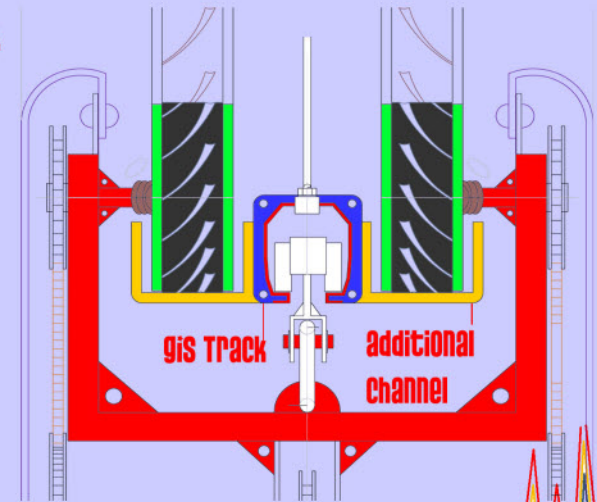




# Indoor Play Area Scheme



Mezzanine floor plan



## Track Section

OUTDOOR and INDOOR track systems available, choose between ceiling mounted and free standing options.

Track Layout	
SCALE: NA	DATE: 6 June 2011
MATERIALS:	NOTES:



*If you'd like to talk about installing a*  
*Dastardly Flying Machines*  
*system at your*  
**park, attraction or venue**  
*we will be delighted to discuss your*  
*specific requirements.*

*We're looking forward to showcasing*  
*our Dastardly Machines*  
*towards the end of 2011, and on into*  
*the 2012 trade show season.*

*We look forward to seeing you.*



*contact*  
**dastardlyflyingmachines@rocketmail.com**

**00 44 (0) 7809 379588**

**00 44 (0) 1704 821090**

*Meadow View*  
*Meadow Lane*  
*Maudesley*  
*Lancashire L40 299*  
*Blighty*





MADE IN BLIGHTY